



USB485I

Wall Mounting

USB to RS-232/485/422 Interface Converter

- Supports bidirectional data conversion between 1 USB interface and 1 RS-232/485/422 serial ports
- Plug and play, low CPU utilization during usage, stable performance
- Autotuning of serial port signal rate, baud rate of serial port 300bps~115200bps
- Serial port supports 8kV electrostatic protection, 2kVAC isolation protection
- Supports optional 9~48VDC wide voltage input and USB power supply (they could power device simultaneously)
- Supports -40 ~ 85°C wide temperature operation



Introduction

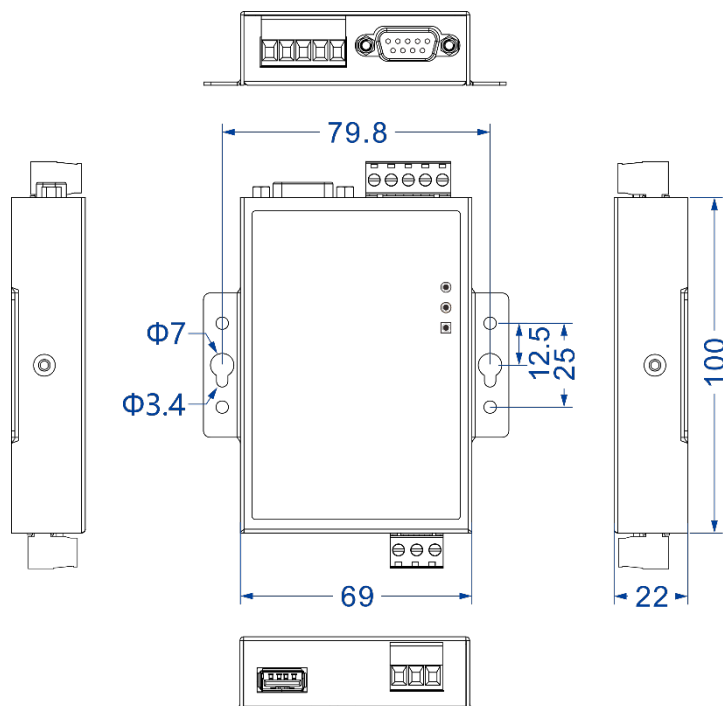
USB485I is a USB to RS-232/485/422 interface converter, which can achieve bidirectional data conversion between USB interface and RS-232/485/422 serial ports. The product supports 1 USB interface and 1 RS-232/485/422 serial port. RS-485/422 supports serial port self-adaption technology, which can identify RS-485/RS-422 serial port with no need of switch setting. Serial port is equipped with 8kV electrostatic protection and 2kV isolation protection, which can effectively protect the device from damage. It adopts wall mounting to meet the requirements of different application fields.

The product provides matched driver program software; USB interface connected to PC will make up a serial COM port in the computer system automatically. PC host can communicate with RS-232/485/422 serial devices via virtual COM port.

Hardware adopts fanless, low power consumption, wide temperature and voltage design and has passed rigorous industrial standard tests, which can suit for the industrial scene environment with harsh requirements for EMC. It can be widely used in PLC, Industrial Automatic Control, IC Card Toll Collection System, and Data Acquisition Control System, etc.

Dimension

Unit:mm



Specification

<p>Serial Port</p>	<p>Standard: EIA RS-232C, RS-485, RS-422 Quantity of serial port: 1 RS-232/485/422 serial port RS-232 signal: TXD, RXD, GND RS-485 signal: D+, D-, GND RS-422 signal: T+, T-, R+, R-, GND Baud rate: 300bps~115200bps Data bit: 7bit, 8bit Stop bit: 1bit, 2bit Parity bit: None, Even, Odd, Space, Mark Interface form: RS-232 serial port, adopts DB9, Male; RS-485/422 serial port, adopts 5-pin 5.08mm pitch terminal block Transmission distance: RS-232 serial port, 15m; RS-485/422 serial port, 1200m Direction control: RS-485 adopts automatic data flow control technology which can detect and control the direction of data transmission Load capacity: RS-485 supports 32-point polling environment (128-point is customizable) Interface protection: 8kV electrostatic protection, 2kVAC isolation protection</p>
<p>USB</p>	<p>Standard: USB 1.1, USB 2.0 Quantity of interfaces: 1 USB interface USB signal: VCC, DATA+, DATA-, GND Transmission rate: high speed 480Mbps, full speed 12Mbps Interface form: USB A-type socket, Male Transmission distance: 5m</p>
<p>Operating System</p>	<p>Windows 2000/Server 2003/XP/Vista/Server 2008/7, Windows XP Embedded, Windows CE 4.2/5.0/5.2/6.0, Linux (above version 2.4), MAC OS-X</p>
<p>Indicator</p>	<p>Power supply indicator, serial port data sending/receiving indicator</p>
<p>Power Requirements</p>	<p>Support optional USB interface power supply or 9~48VDC power supply, they could power the device simultaneously</p>
<p>Power Consumption</p>	<p>No-load: 0.38W@24VDC Full-load: 0.41W@24VDC</p>
<p>Environmental Limits</p>	<p>Operating temperature: -40~85°C Storage temperature: -40~85°C</p>

	Relative humidity: 5% ~ 95% (no condensation)
Physical Characteristics	Housing: metal, IP30 protection grade Installation: wall mounting Dimension (W x H x D): 69mm×22mm×100mm Weight: 226g
Industrial Standards	IEC 61000-4-2 (ESD, Electrostatic discharge), Level 2 <ul style="list-style-type: none">● Air discharge: ±8kV● Contact discharge: ±4kV Shock: IEC 60068-2-27 Free fall: IEC 60068-2-32 Vibration: IEC 60068-2-6
Certifications	CE, FCC, RoHS
Warranty	3 years



Ordering Information

Available Models	USB	RS-232/485/422	Power Supply Range
USB485I	1	1	9~48VDC or USB power supply



Address: 3/B, Zone 1, Baiwangxin High Technology Industrial Park, Song Bai Road, Nanshan District, Shenzhen, 518108, China

TEL.: +86-755-26702668 ext 835 FAX: +86-755-26703485

E-mail: ics@3onedata.com

Website: www.3onedata.com

◀ [Please scan our QR code for more details](#)

*Product pictures and technical data in this datasheet are only for reference. Updates are subject to change without prior notice. The final interpretation right is reserved by 3onedata.